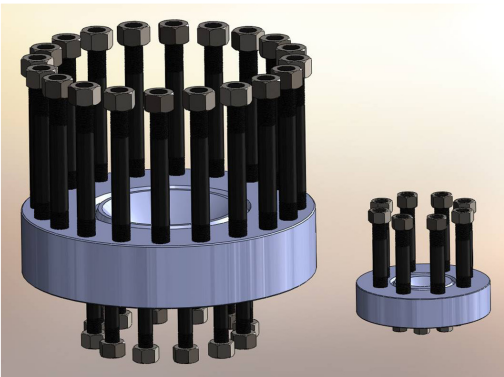


# Double Studded Adapters

## OIL & GAS



Ameriforge has an inventory of Double Studded Adapters (DSA) that conform to API 6A requirements. They allow users to transition from one size and pressure rating to another. Typical B7 studs are installed with 2H nuts. Custom designs are available upon request.

\*CRA Ring grooves available in all sizes.

Size Working Pressure		Size Working Pressure	Height
2-1/16 5M	X	2-1/16 2M	2-5/8
2-1/16 5M	X	1-13/16 10M	2-3/4
2-9/16 5M	X	2-1/16 5M	2-5/8
3-1/8 3M	X	2-1/16 5M	2-5/8
3-1/8 5M	X	2-1/16 5M	2-3/4
4-1/16 5M	X	2-1/16 5M	2-3/4
4-1/16 5M	X	2-9/16 5M	2-7/8
4-1/16 5M	X	3-1/8 5M	3
4-1/16 10M	X	2-1/16 10M	3
7-1/16 3M	X	7-1/16 2M	3
7-1/16 5M	X	2-9/16 5M	3-5/8
7-1/16 5M	X	3-1/8 3M	3-5/8
7-1/16 10M	X	7-1/16 5M	4-1/16
11 5M	X	7-1/16 5M	4-3/4
11 5M	X	11 3M	4-3/4
13-5/8 3M	X	11 3M	3-5/8
13-5/8 3M	X	11 5M	4-1/4
13-5/8 5M	X	13-5/8 3M	4-7/16

\*Dimensions shown are in inches.

### Contact Us:

13770 Industrial Rd.  
Houston, TX 77015  
Phone: 713.393.4200  
ogcomponents@ameriforge.com